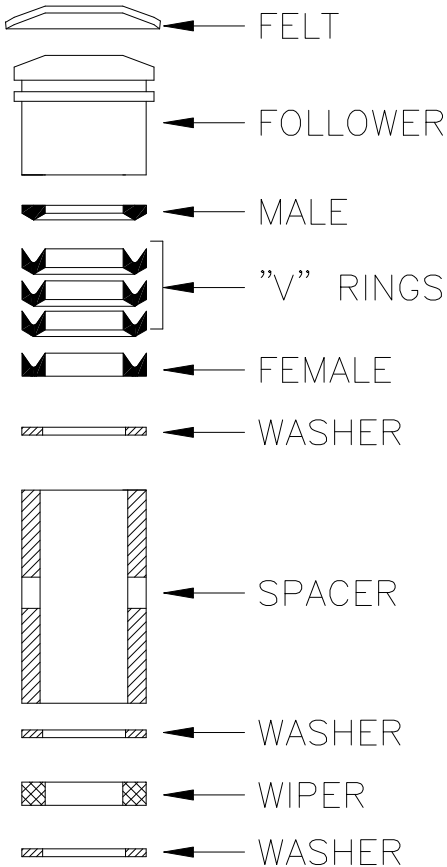
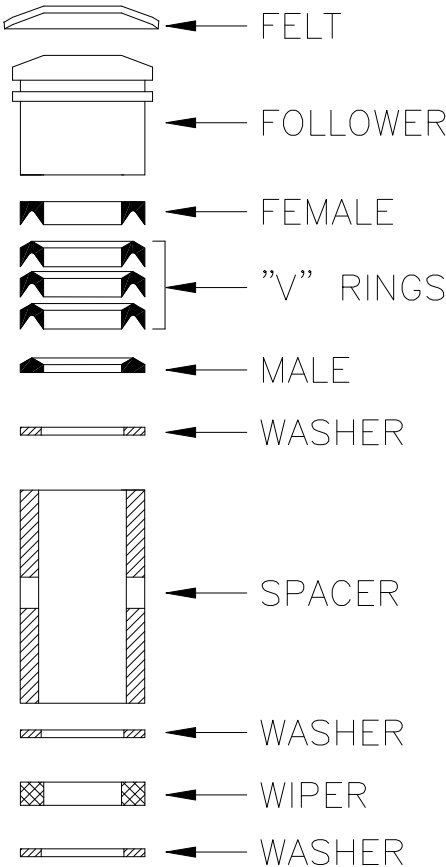


## TFE "V" RINGS SETUP

### SPACER TYPE

FOR PRESSURE  
SERVICE ONLY

FOR VACUUM  
SERVICE ONLY

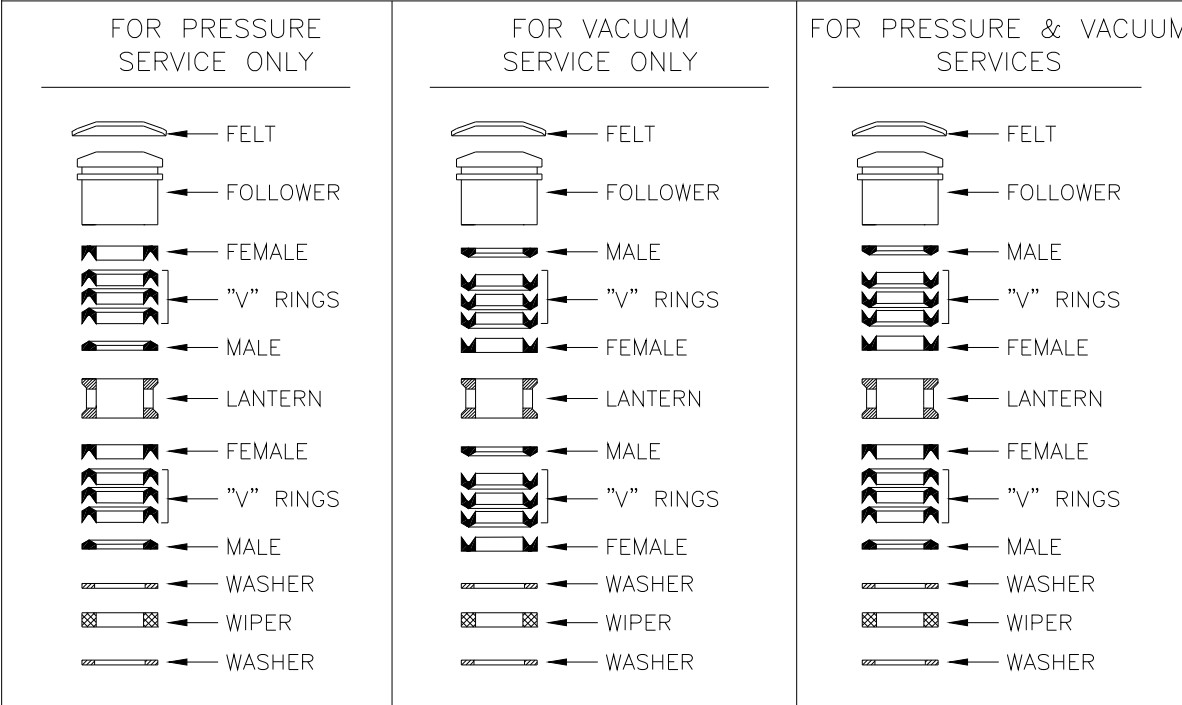


# KOSO HAMMEL DAHL

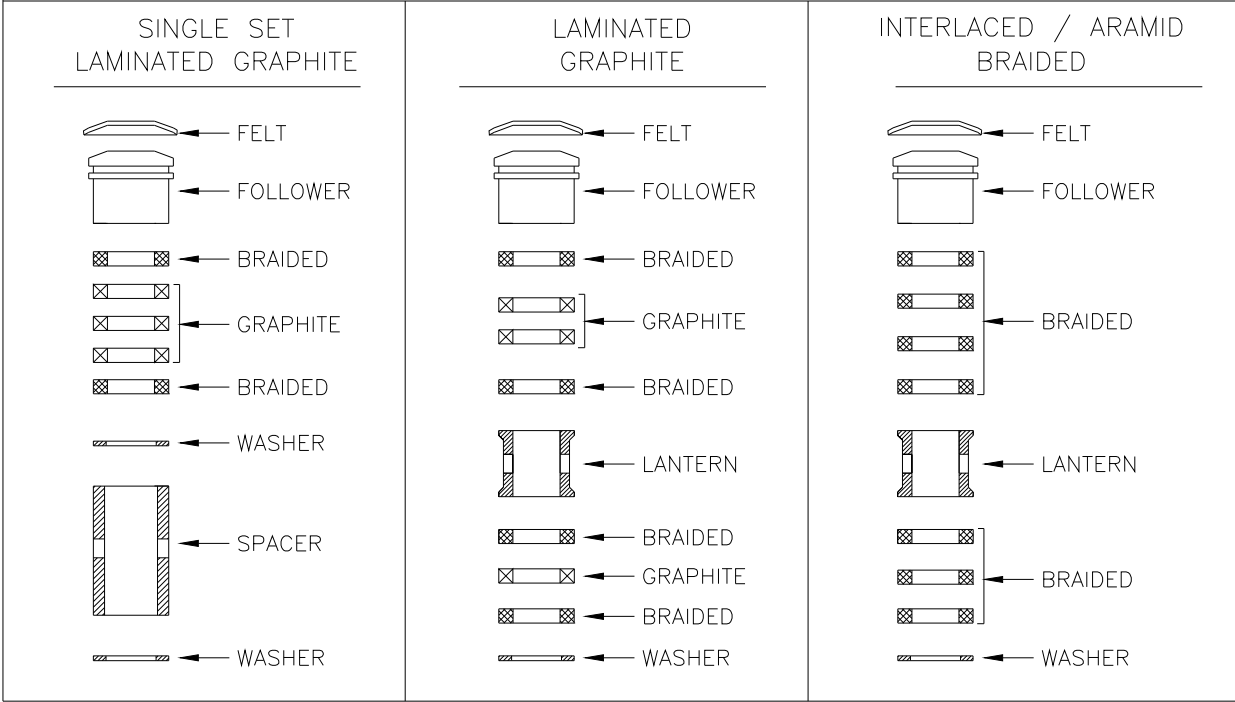
CONTROL VALVES

## TFE "V" RINGS SETUP

### DOUBLE SETS

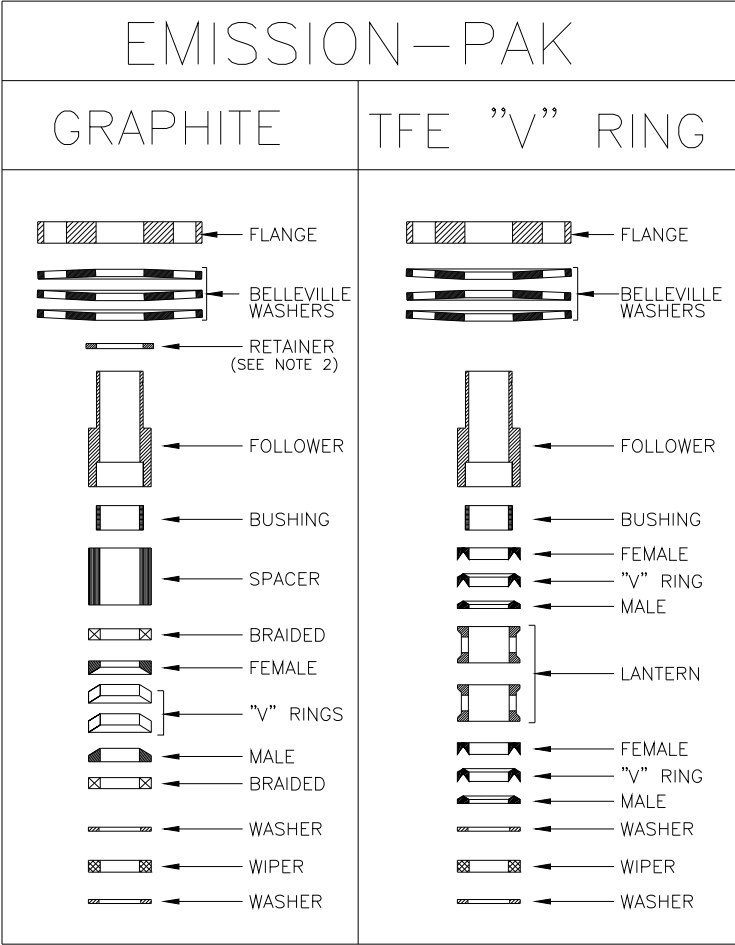


## SQUARE PACKING SETUP



# KOSO HAMMEL DAHL

CONTROL VALVES



For Emission-Pak packing sets, tighten the packing nuts until the yellow line on the follower is barely visible on the top of the follower flange.

# KOSO HAMMEL DAHL

CONTROL VALVES

ICE BREAKER	
TFE "V" RING	GRAPHITE
<p>             FOLLOWER              LINER              CARTRIDGE              FEMALE              "V" RINGS              MALE              LANTERN              FEMALE              "V" RINGS              MALE              WASHER         </p>	<p>             FOLLOWER              LINER              CARTRIDGE              BRAIDED              GRAPHITE              BRAIDED              LANTERN              BRAIDED              GRAPHITE              BRAIDED              WASHER         </p>